



SEWAGE WORKS EXHIBITION '18 KITAKYUSHU



**Exhibitor
Brochure**

Dates : July 24 [Tue.]-27 [Fri.], 2018 10:00-17:00 Except 24th starting at 10:30 & 27th ending at 16:00

Venue: West Japan General Exhibition Center (Kitakyushu, Fukuoka)

Organizer: Japan Sewage Works Association (JSWA)

<http://www.gesuidouten.jp/>



Purpose of the Exhibition

The Sewage Works Exhibition (SWE) is Japan's largest annual event covering wastewater industry. It is comprised of a variety of events including exhibition, seminars, and conference. A great number of local governments, organizations, associations, institutions, consultants, private companies and students visit this event to see the latest technologies & products, to share their experience & knowledge and build their business over 4 days. The SWE is also intended to raise public awareness of the importance of clean water and how it is achieved.

Discussion and exchange of information on water have been internationalized over the last decade. Japan will host IWA congress in Tokyo in 2018. In line this trend, JSWA has been committed to make SWE representing Japanese sewage expertise international. JSWA has held international conferences & seminars on the occasion of SWE for years. In addition to this, JSWA would like to invite international exhibitors & Visitors to SWE sincerely. JSWA will try our best to facilitate international exhibitors and visitors.



Exhibition Outline

Name of the event :

“SEWAGE WORKS EXHIBITION '18 KITAKYUSHU”

Dates and times :

July 24(Tue.) - 27(Fri.), 2018

10:00-17:00

Except 24th starting at 10:30
& 27th ending at 16:00

Venue :

West Japan General Exhibition Center
(Kitakyushu, Fukuoka)

Organized by:

Japan Sewage Works Association (JSWA)

Supported by:

Ministry of Land, Infrastructure, Transport and Tourism (MLIT),
Ministry of the Environment Government of Japan (MOE),
Ministry of Economy, Trade and Industry (METI), Ministry of Education, Culture, Sports, Science and Technology (MEXT),
National Governors' Association (NGA), Japan Association of City Mayors (JACM),
National Association of Towns & Villages (NATV),
Fukuoka Prefecture, City of Kitakyushu, Japan Sewage Works Agency (JS), Nikkei Inc. (expected)

Cooperated by:

Japan Institute of Wastewater Engineering and Technology & 60 other organizations (expected)

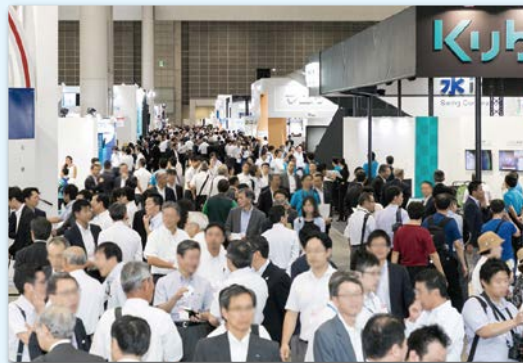


Exhibit Category

JSWA groups all the exhibitors into the following categories.
Each group is located in the same zone on the floor of exhibition hall.
International exhibitors' booths are planned to appear in the same zone.

Planning and Designing Zone

Technology & equipment

Construction and Civil & Architectural Works Zone

Trenchless new installation & rehabilitation,
new construction methods and seismic technology

Sewer Material and Equipment Zone

Concrete, PVC, HDPE, corrosion resistant, manhole cover

Treatment Zone

CSO control, secondary & advanced treatment, nutrient removal & recovery,
biosolids treatment, resource recovery, mechanical & electrical equipment,
chemicals, measurement devices, odor control, noise & vibration control

Operations and Maintenance Zone

Equipment, CCTV, remote control of WWTP, heavy vehicles

Other Zone

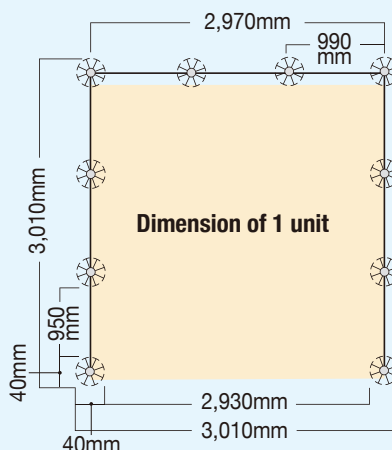
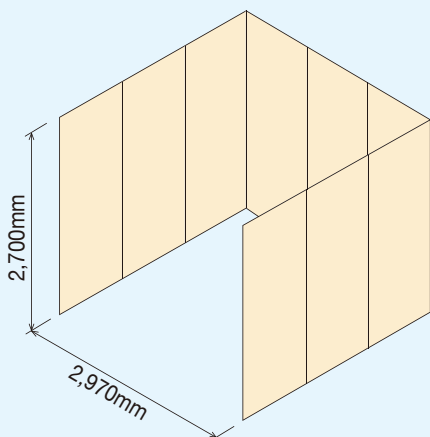
House sewer equipment, laboratory equipment & technology

Public Zone

Local utilities & NPOs for raising awareness of the importance of clean water



Standard Booth / Exhibition Fee (tax.incl)



Call for
Entry by
January 19 (Fri.),
2018

Eligibility for Exhibiting

All companies / organizations with products or services directly related to the field of Sewage are welcome to exhibit.

Exhibition Fee (tax included)

The Exhibition Fee is as follows :

- Registration fee : 140,000JPY
- Booth fee : 380,000 JPY per 9m² square unit
- Online Exhibitor Directory entry : 20,000JPY
- Exhibitor Presentation (optional) : 50,000JPY per slot

Standard Booth Specifications

The Exhibition Fee is for the shell scheme booth with walls only. The fee does not include furniture, carpet, fascia board, spotlight, power sockets, insurance, cleaning, loading & handling of equipment, staff, telephones, exhibit dressing, and advertising or promotional material except entry of the exhibitor directory.

Online Exhibitor Directory

Online Exhibitor Directory is used for Attendees to learn which companies are exhibiting, and what products/services will be featured. Furthermore, it offers comprehensive information about exhibitors' business outline and featured/new product display with pictures and movies.

* Online Exhibitor Directory is only available in Japanese.

Application Process

1. Fill the Exhibitor Application Form online, www.gesuidouten.jp.
2. The Organizer locates the booths without consultation with the exhibitors by category of exhibits to facilitate the visitors.
3. Upon receipt of the completed application form, the Organizer will send an invoice.
4. The Exhibitor must pay full fee by electronic transfer to the designated account of the Organizer at one transaction by April 27 (Fri.), 2018.

Deadline for application

January 19 (Fri.), 2018

Cancellation Policy

- Cancellation received by April 27 (Fri.), 2018 : 70% of all monies paid.
- Cancellation received after April 28 (Sat.), 2018 : 100% of agreed cost.

Liability Waiver

The Organizer may cancel or postpone the exhibition due to unavoidable circumstance such as massive earthquake and terrorism without being held responsibility for any possible damage and costs that the exhibitors incur.

Number of Visitors in 2017 (held in Tokyo)

Date	Visitors	Total
August 1	12,033	12,033
August 2	16,306	28,339
August 3	16,421	44,760
August 4	11,032	55,792



SEWAGE WORKS EXHIBITION '18 KITAKYUSHU

Questions and Applications

SEWAGE WORKS EXHIBITION Secretariat Office (Nikkei PR Advertising Co., Ltd.)
TEL:+81-3-6812-8648 FAX:+81-3-6812-8649 E-mail: gesuidou@nikkeipr.co.jp



2017 Exhibitor List

◆ Public Zone

BUREAU OF SEWERAGE TOKYO METROPOLITAN GOVERNMENT
CITY OF KITAKYUSHU
ISHIKAWAKEN
KANAGAWA PREFECTURAL GOVERNMENT
MUSASHINO CITY
MUSEUM OF SEWERAGE IN KODAIRA CITY
SAGAMIHARA CITY
SAITAMAKENGENSUIDOUKYOKU

◆ Exhibitor List

A	A1 TECHNICA
	ABLE
	ACEMOLE METHOD ASSOCIATION
	ACT
	ADY
	AISAWAKOUGYOU
	ALL JAPAN BOX-CULVERT ASSOCIATION
	ALL JAPAN CONNECT-HOLE ASSOCIATION
	ALL-LINER ASSOCIATION
	AMCON
	ANAN DENKI
	AQUAINTEC
	AREA-SAVE STARTING SHAFT SYSTEM FOR SHIELD TUNNELLING ASSOCIATION
	ARONKASEI
	ASADA
	ASCO-DAITO
	ASS METHOD ASSOCIATION
	ASSOCIATION DRM&PIT
	ASSOCIATION OF WATER AND SEWAGE WORKS CONSULTANTS JAPAN
B	BABYMOLE ASSOCIATION
	BSL
C	C.I. TAKIRON
	CENTRAL KAGAKU
	CHUOU SEKKEI ENGINEERING
	CIVIL SOFT DEVELOPMENTS
	CLEAR FLOW METHOD ASSOCIATION
	CLEARWATER OSAKA
	COMMAND METHOD ASSOCIATION
	COPROS
	COSMIC PIPE JACKING METHOD ASSOCIATION
	COSMO-KOKI
	CRYSTAL LINING CONSTRUCTION METHOD ASSOCIATION
D	DAICEN MEMBRANE-SYSTEMS
	DAIICHI ELECTRONICS
	DAIICHI TECHNO
	DAINIPPON PLASTICS
	DENKOH ELECTRIC INDUSTRY
	DKK-TOA
	DMW
	DOUBLE OBJECT-JET METHOD SOCIETY
E	EBA SHEET CONSTRUCTION METHOD INDUSTRY ASSOCIATION
	EBARA
	EBARA JITSUGYO
	EBATA
	ECO SPEED SHIELD METHOD ASSOCIATION
	EPR KOUHOU KYOUKAI
	ERDEC
	EX.DANBY ASSOCIATION
F	FFT ASSOCIATION
	FIBERGLASS REINFORCED PLASTIC MORTAR PIPES ASSOCIATION
	FLEXIBLE BOX-CULVERT SOCIETY
	FLEXYSYSTEM
	FORUM8
	FRP METHOD ASSOCIATION
	FUJI CLEAN
	FUJIKAWA RESIN
	FUJIWARA INDUSTRY
	FUKUDA
	FUSO
G	GASTEC
	GEO-LEAD
H	HANEDA ZENITH
	HANSHIN ENGINEERING
	HANSHIN SHAVING
	HASHIMOTOSANGYO
	HAT-RING CONSTRUCTION METHOD ASSOCIATION
	HEISHIN
	HIGHGUARD PIPE ASSOCIATION
	HINODE
	HIROSHIMA METAL & MACHINERY
	HITACHI
	HITACHI ZOSEN
	HOKUKON
	HOKURYO
	HORIBA ADVANCED TECHNO
	HUME PIPE & VERSTMOLE MECHANICAL JACKING METHOD ASSOCIATION
	HYBRID MANHOLE ASSOCIATION
I	IBAK HELMUT HUNGER
	IHI
	ILIJIMA ELECTRONICS
	IRONMOLE ASSOCIATION
	ISHIGAKI
	IWAKI
	IZUMI TRADING
J	JAPAN CHEMICAL INNOVATION AND INSPECTION INSTITUTE: HIGH-POLYMER TEST & EVALUATION CENTER

JAPAN DRILLING	
JAPAN DUCTILE IRON PIPE ASSOCIATION	
JAPAN HUME PIPE ASSOCIATION	
JAPAN INSTITUTION ASSOCIATION	
JAPAN INSTITUTE OF WASTEWATER ENGINEERING AND TECHNOLOGY	
JAPAN LADDERHOLE INDUSTRIAL ASSOCIATION	
JAPAN MICROTUNNELING ASSOCIATION	
JAPAN PIPE REHABILITATION QUALITY ASSURANCE ASSOCIATION	
JAPAN PREHOLE MANUFACTURERS ASSOCIATION	
JAPAN PRESTRESSED CONCRETE BOX-CULVERT ASSOCIATION	
JAPAN PVC PIPE AND FITTINGS ASSOCIATION	
JAPAN RESIN-CONCRETE PRODUCTS ASSOCIATION	
JAPAN SEWAGE PIPE RENEWAL METHOD ASSOCIATION	
JAPAN SEWAGE TREATMENT PLANT OPERATION AND MAINTENANCE ASSOCIATION	
JAPAN SEWAGE WORKS AGENCY	
JAPAN SEWAGE WORKS ASSOCIATION	
JAPAN SEWER COLLECTION SYSTEM MAINTENANCE ASSOCIATION	
JAPAN SEWER OPTICAL FIBER TECHNOLOGICAL ASSOCIATION	
JAPAN S-HOLE INDUSTRIAL ASSOCIATION	
JAPAN SNAP LOCK ASSOCIATION	
JAPAN WASH INC. ASSOCIATION	
JAPAN W-JOINT-PIPE ASSOCIATION	
JER CONCRETE REPAIR IMPROVEMENT ASSOCIATION	
JFE ADVANTECH	
JFE ENGINEERING	
JMS	
JOTO LYPRONE	
JTEKT	
K	KAJIMA
	KANAFLEX CORPORATION
	KANAZAWAHODO
	KANSEI
	KANTOOL
	KASAHARA CHEMICAL INSTRUMENTS
	KASEIKOGYO
	KATO IRON
	KAWASAKI HEAVY INDUSTRIES
	KEISOKU NET SERVICE
	KIDOH CONSTRUCTION
	KOBELCO ECO-SOLUTIONS
	KOMATSU ELECTRIC INDUSTRY
	KUBOTA
	KURIMOTO
	KUSHIDA
	KYOKAN MAINTENANCE
	KYUDENKO
L	LIGHT CURING RECONSTRUCTION ASSOCIATION
	LONG DISTANCE PIPE INSPECTION
M	MAEZAWA INDUSTRIES
	MAEZAWA KASEI INDUSTRIES
	MANHOLE ELEVATION COUNTERMEASURE ASSOCIATION
	MANHOLE LINING RENEWAL ASSOCIATION
	MARSIMA AQUA SYSTEM
	MARUEI CONCRETE INDUSTRY
	MATSUE DOKEN
	MAXIS ENGINEERING
	MEIDENSHA
	MEIKO TECHNOS
	METAWATER
	MINI SHIELD TUNNELING METHOD ASSOCIATION
	MINISTRY OF LAND, INFRASTRUCTURE, TRANSPORT AND TOURISM
	MISAKURA
	mitsubishi electric
	MITSUBISHI HEAVY INDUSTRIES ENVIRONMENTAL & CHEMICAL ENGINEERING
	MITSUBISHI KAKOKI
	MITSUBISHI NAGASAKI MACHINERY MFG.
	MIYAMA KOGYO
	MIZOTA
	MIZUMOTO MACHINE MFG.
	MORIZUKURI
	MUTSUBISHI RUBBER
N	NAGASE
	NAGASHIMA FOUNDRY
	NAKAGAWA HUMEPIPE INDUSTRY
	NANAMESHIKI SS KOHO KYOKAI
	NANYO
	NATION WIDE LIFT & BUILD CONSTRUCTION SYSTEM
	NATIONAL EPO METHOD ASSOCIATION
	NATIONAL INSTITUTE FOR LAND AND INFRASTRUCTURE MANAGEMENT
	NEC PLATFORMS
	NEW COSMOS ELECTRIC
	NEW PERFORMANCE STANDARD OF FLOOD-RESISTANT MANHOLE COVERS
	NIHON SUJIDO CONSULTANTS
	NIHONSTEPKOUGYOU
	NIKKAKI BIOS
	NIKKAN TOKUSHU
	NIPPON CHUTETSUKAN
	NIPPON HUME
	NIPPON JIKKOU
	NIPPON KOEI
	NISHIHARA ENVIRONMENT
	NKS
	NS-R METHOD ASSOCIATION
O	OHARA
	OKAWARA MFG.
	OMEGANIX

OPEN SHIELD ASSOCIATION	
ORGANO	
P	PALTEM SYSTEMS ASSOCIATION
	PARABOLA-SYSTEM ASSOCIATION
	PASCO
	PENTOUGH
	PIPE RETURN METHOD ASSOCIATION
	PIPE WAY INFORMATION UTILIZATION INCORPORATED BUSINESS ASSOCIATION
	PLASTIC MASU-MANHOLE ASSOCIATION
	POLYETHYLENE LINING METHOD ASSOCIATION
	POLYETHYLENE PIPE ASSOCIATION FOR SEWERAGE
	POWERBLENDER METHOD ASSOCIATION
Q	QI
R	RAITO KOGYO
	RAKUYU-Z METHOD ASSOCIATION
	RAMSUS ASSOCIATION
	RASA INDUSTRIES
	REVO ASSOCIATION
	RIKEN KEIKI
S	SAFETY FLAT CONSTRUCTION METHOD ASSOCIATION
	SANKI ENGINEERING
	SANKI KANKYO SERVICE
	SANKYO KOGYO
	SANRITSU
	SDLINER METHOD OF CONSTRUCTION SOCIETY
	SEIBU POLYMER
	SEISUIKOUGYOU
	SEIWA ELECTRIC MFG.
	SEKISUI CHEMICAL
	SEKISUI PLASTICS
	SENKOM
	SENQIA
	SEWAGE BYPASS METHOD ASSOCIATION
	SEWERRENT
	SHIBATA INDUSTRIAL
	SHIBAURA SEMTEK
	SHIMADZU
	SHIMIZU
	SHIMIZU IRON WORKS
	SHINMAYWA INDUSTRIES
	SHONAN PLASTIC MFG.
	SHOWADENKOKENZAI
	SOCIETY FOR THE RESEARCH OF URBAN-RING METHOD
	SOLACE
	SONIC
	SOOKI
	SPEEDER
	SUEHIRO SYSTEM
	SUMIYOSHI SEISAKUSYO
	SUMITOMO HEAVY INDUSTRIES ENVIRONMENT
	SUNNY
	SWING
T	T. I. TRADING
	TACMINA
	TAISEIKKO
	TAKAMATSU
	TAKUMA
	TECHNICAL ASSOCIATION FOR PROTECTING EXISTING SEWER FROM EARTHQUAKE
	TETSUGEN JITSUGYO
	THE VICTAULIC COMPANY OF JAPAN
	THK
	TMKOUHOUKYOKAI
	TOA GROUT KOGYO
	TOBISHIMA
	TOHO CHIKAKOKI
	TOKYO GAS
	TOKYO KEIKI
	TOKYO METROPOLITAN SEWERAGE SERVICE
	TOKYO NEJI
	TOKYO SEWAGE FACILITIES ASSOCIATION
	TOKYU CONSTRUCTION
	TOMOE ENGINEERING
	TOMOTETSUKOUGYO
	TORIKASEI
	TORISHIMA PUMP MFG.
	TOSHIBA INFRASTRUCTURE SYSTEM & SOLUTIONS
	TOZEN
	TSUKISHIMA KIKAI
	TSURUMI MANUFACTURING
	TWINDRILL ASSOCIATION
	TWO-WAY PIPE JACKING METHOD ASSOCIATION
U	UC INDUSTRIAL
	UNCLEMOLE TUNNELLING ASSOCIATION
	UNICORN MOLE METHOD STUDY GROUP
	UTSUNOMIYA INDUSTRIES
V	VALMET
	VEL METHOD ASSOCIATION
	VEOLIA JAPAN
	VEOLIA JENETS
W	WAMGROUP
	WINCAN JAPAN
Y	YAMASO
	YANMAR ENERGY SYSTEM
	YASUDA ENGINEERING
	YOKOGAWA SOLUTION SERVICE
3	3SICP TECHNOLOGY ASSOCIATION